



Exhibition: AIPIA
Exhibition date: November 2 & 3 2017
Company name: AIPIA
Date: 03-02-2017

A Booth B.V. - Skoon 37 - NL 1511 HV Oostzaan



APIA
Active & Intelligent Packaging Industry Association

Basic, 2 x 2 meter, 2.5 meter high



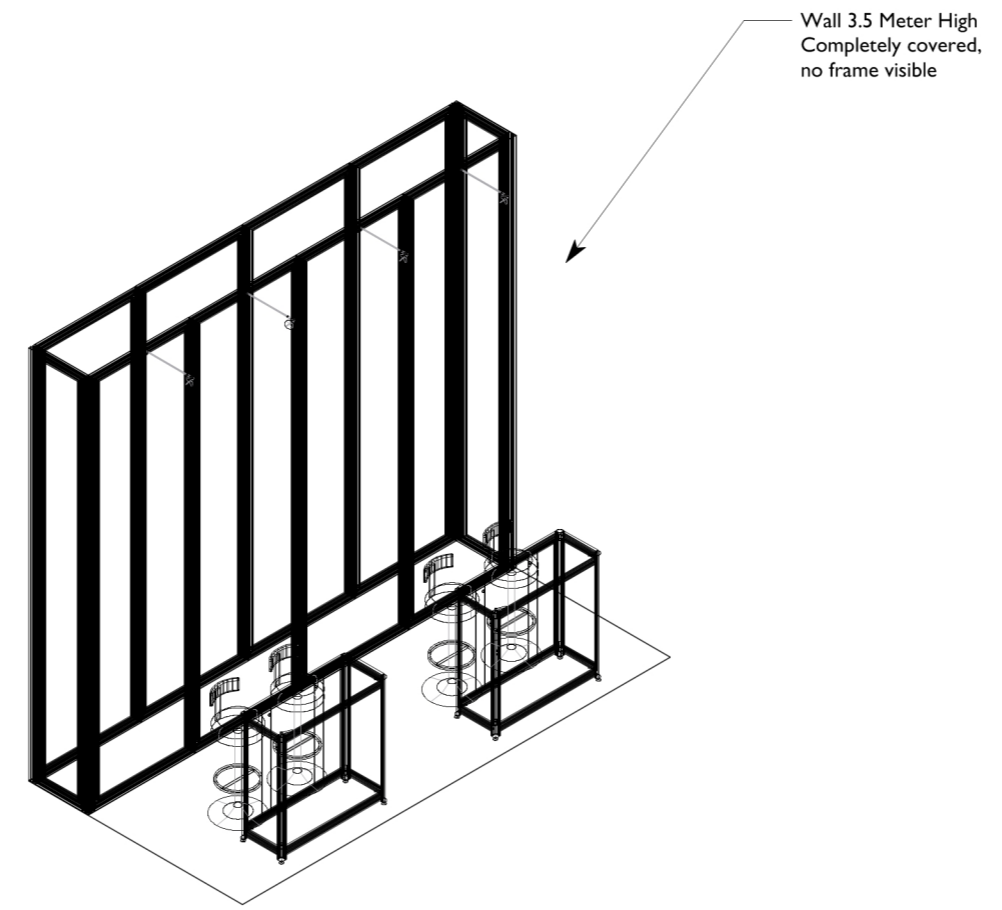
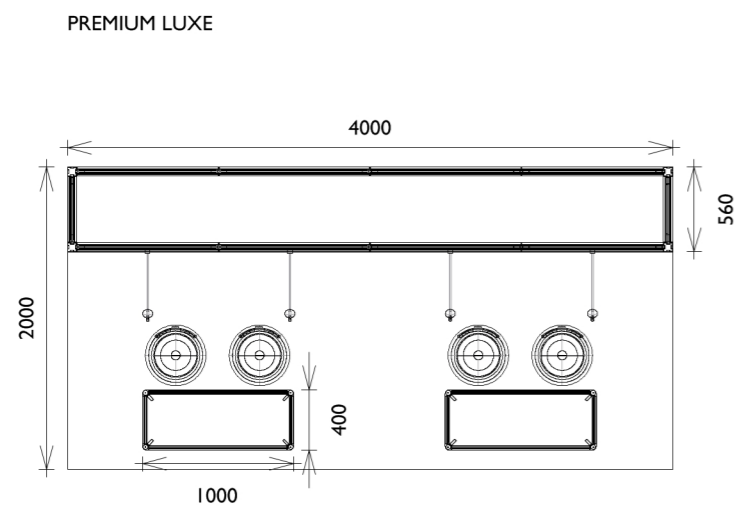
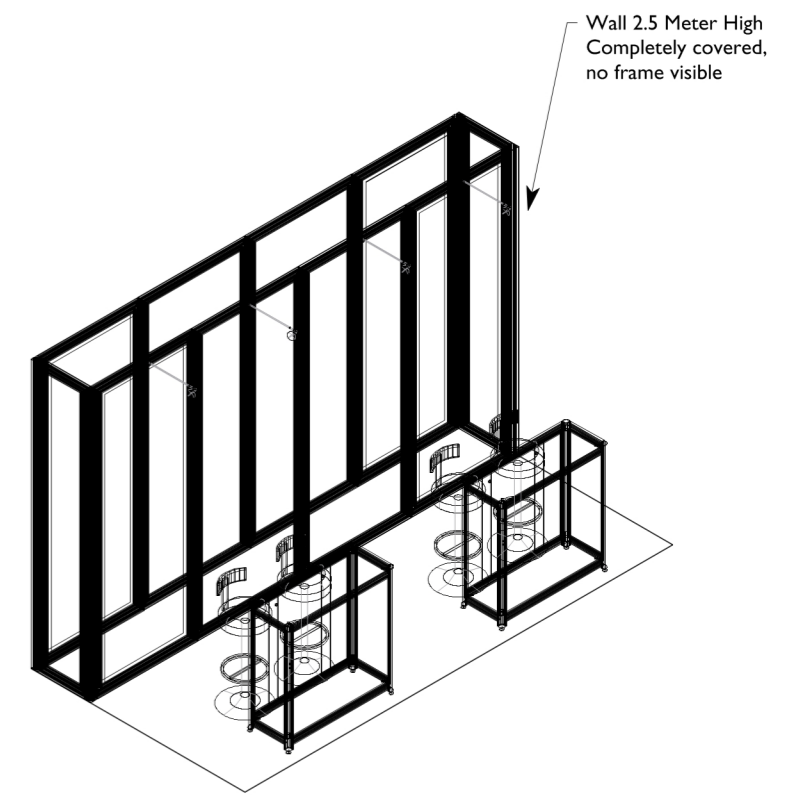
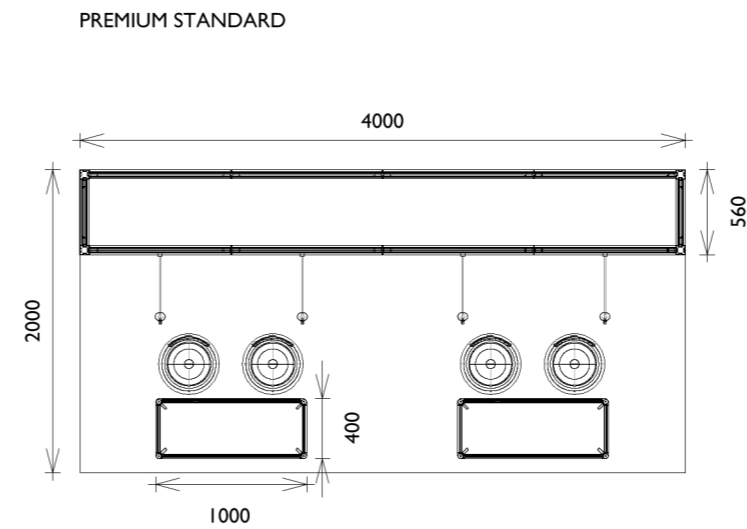
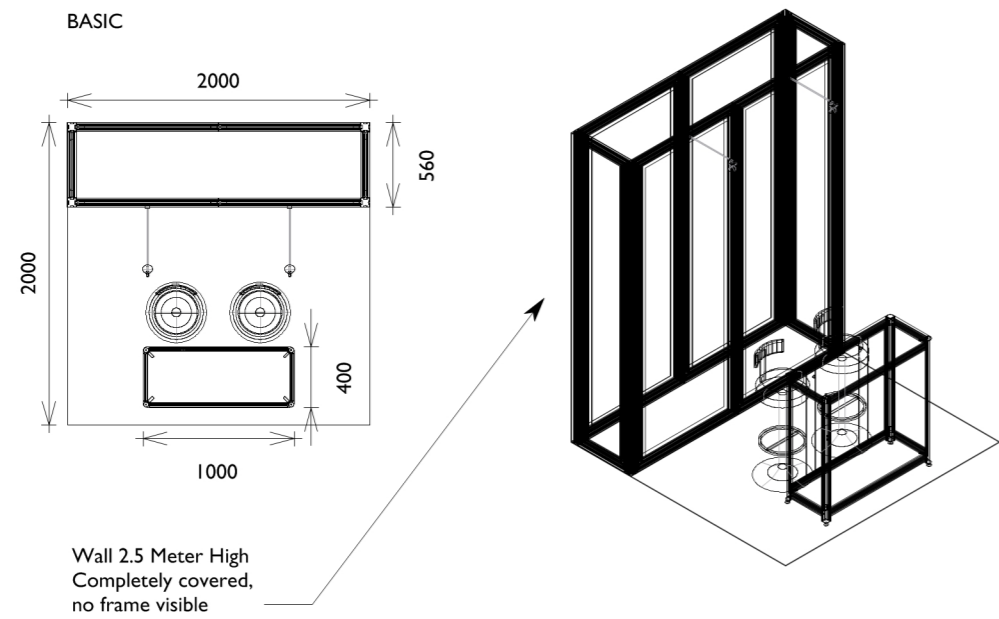
Premium, 2 x 4 meter, 2.5 meter high



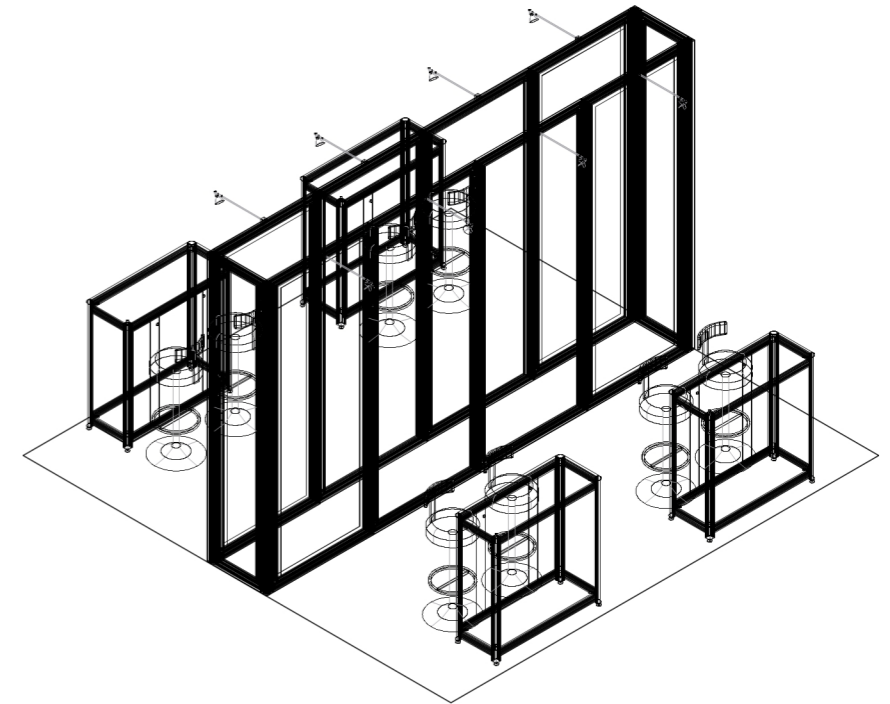
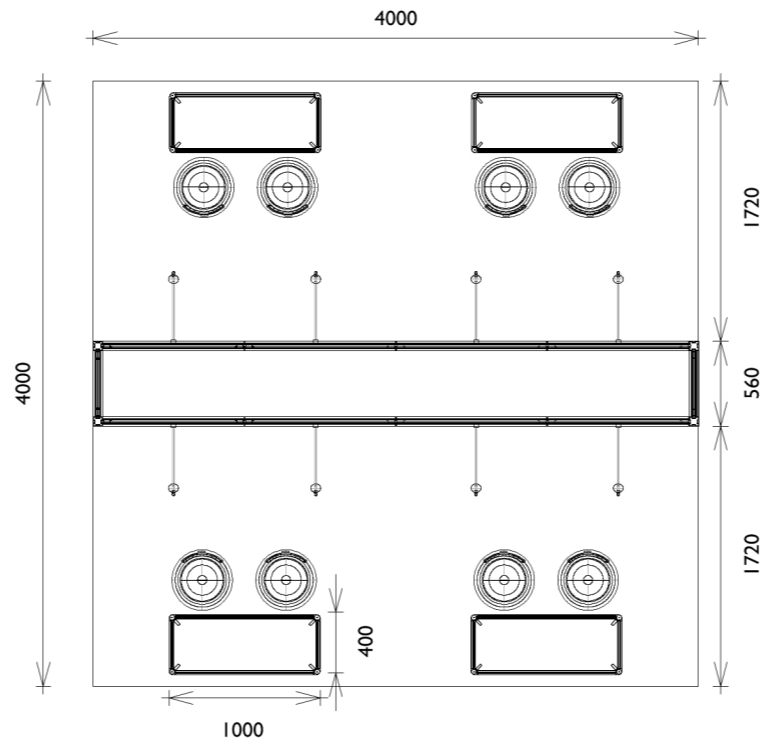
AIPIA

Active & Intelligent Packaging Industry Association

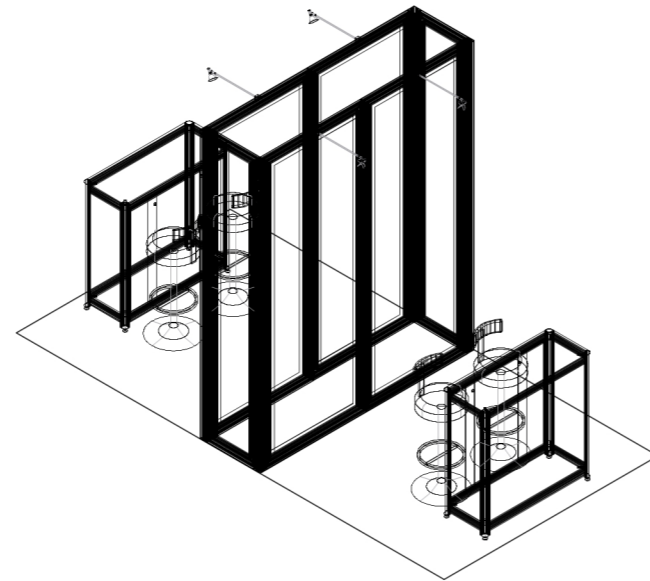
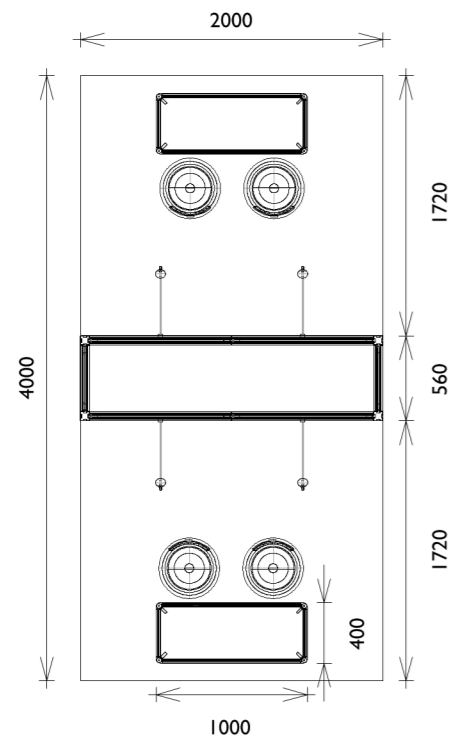
Premium Luxe, 2 x 4 meter, 3.5 meter high



PREMIUM STANDARD View of booth when mirrored



BASIC View of booth when mirrored



a booth
 exhibition services Skoon 37 - 1511 HV Oostzaan - www.a-booth.nl

Client: AIPIA
 Exhibition: AIPIA 2017
 Exhibitdate: November 2 & 3
 Booth no.: N/A
 Scale: 1:50
 Measurements: Millimeters

Basic 2x2, Premium Standard 2x4